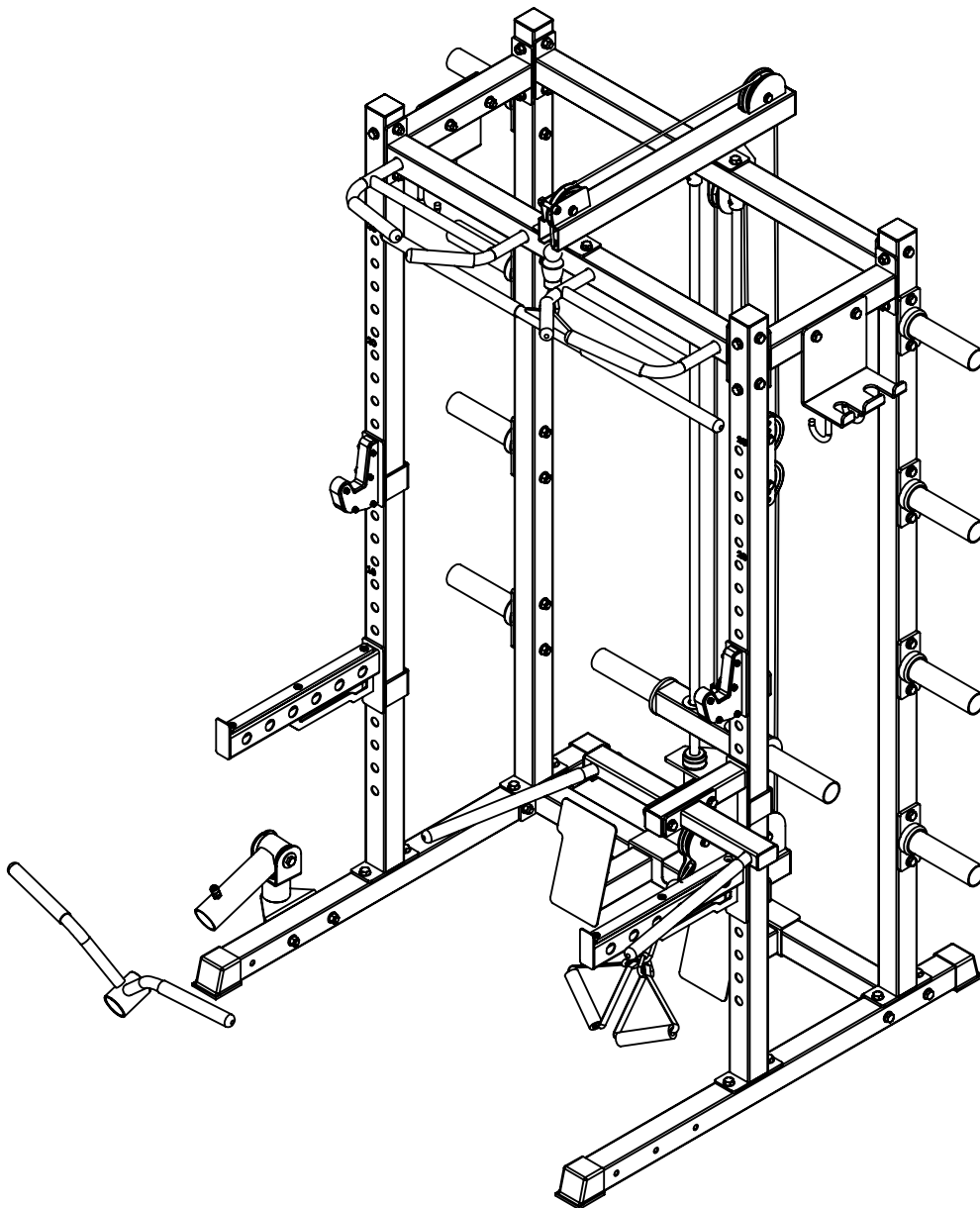


Integrated Training Rack

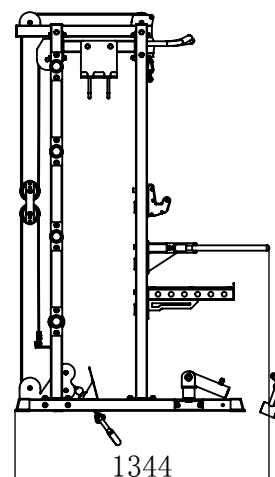
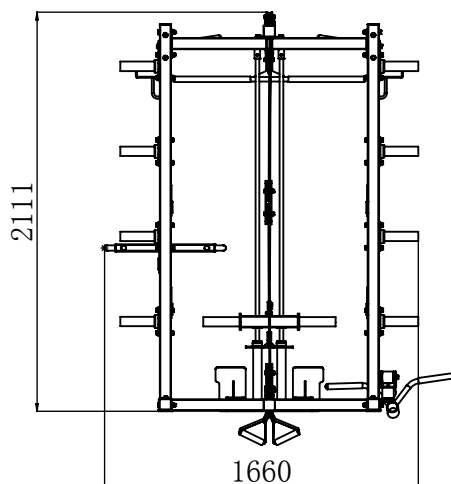
ASSEMBLY INSTRUCTIONS



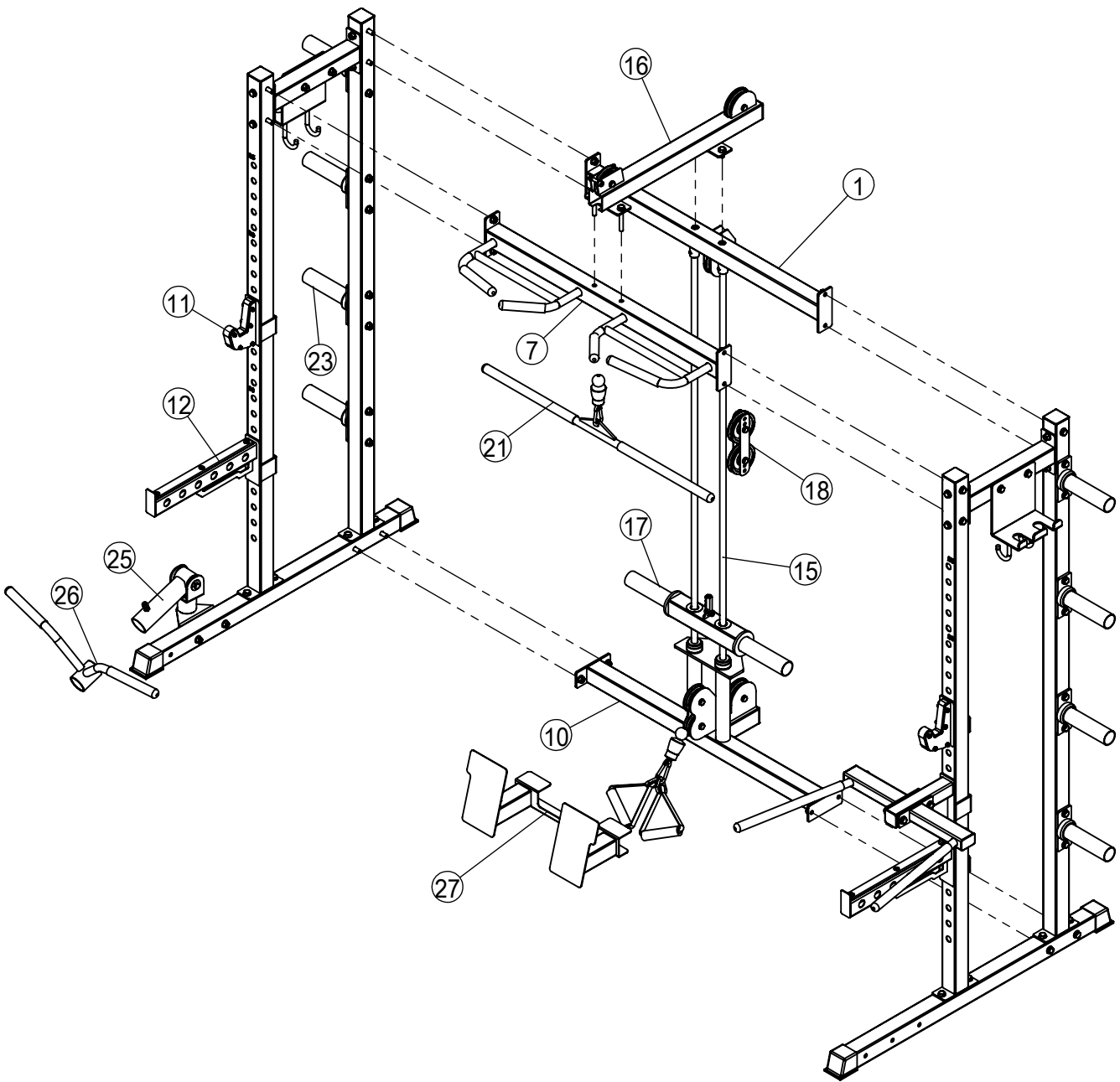
PARTS/HARDWARE LIST

ITEM	QTY	DESCRIPTION
1	1	REAR UPPER CONNECTION GROUP
2	1	REAR COLUMN MAIN BEAM SET
3	1	FRONT COLUMN MAIN BEAM SET
4	1	FRONT COLUMN MAIN BEAM SET-RIGHT
5	1	BOTTOM FRAME CONSTRUCTION
6	1	REAR UPPER SUPPORT GROUP
7	1	HANDLE GROUP
8	1	MIRROR THE BOTTOM FRAME STRUCTURE
9	1	MIRROR REAR COLUMN STRUCTURE
10	1	BOTTOM DOWN CONNECTION GROUP
11	1	HOOK GROUP
12	1	SAFETY STRUCTURE SECTION
13	1	THE PARALLEL BARS GROUP
14	2	PARALLEL BARS HANDLE GROUP
15	2	OPTIC AXIS
16	1	HIGH PULL SHELF UNIT
17	1	SLIDING STRUCTURE GROUP
18	1	MOVABLE PULLEY STRUCTURE GROUP
19	1	MIRROR BACK UPPER SUPPORT GROUP
20	1	MIRROR THE INSURANCE STRUCTURE GROUP
21	1	STRAIGHT HANDLE
22	2	HOOK SET ON
23	8	HANG A BELL GROUP
24	1	MIRROR HOOK GROUP
25	1	GUN BARREL STRUCTURE
26	1	HANDLE GROUP
27	1	FOOT PEDAL GROUP
30	2	HEXAGON HEAD BOLTS--PRODUCT GRADE
31	2	HEXAGON NUTS GRADE

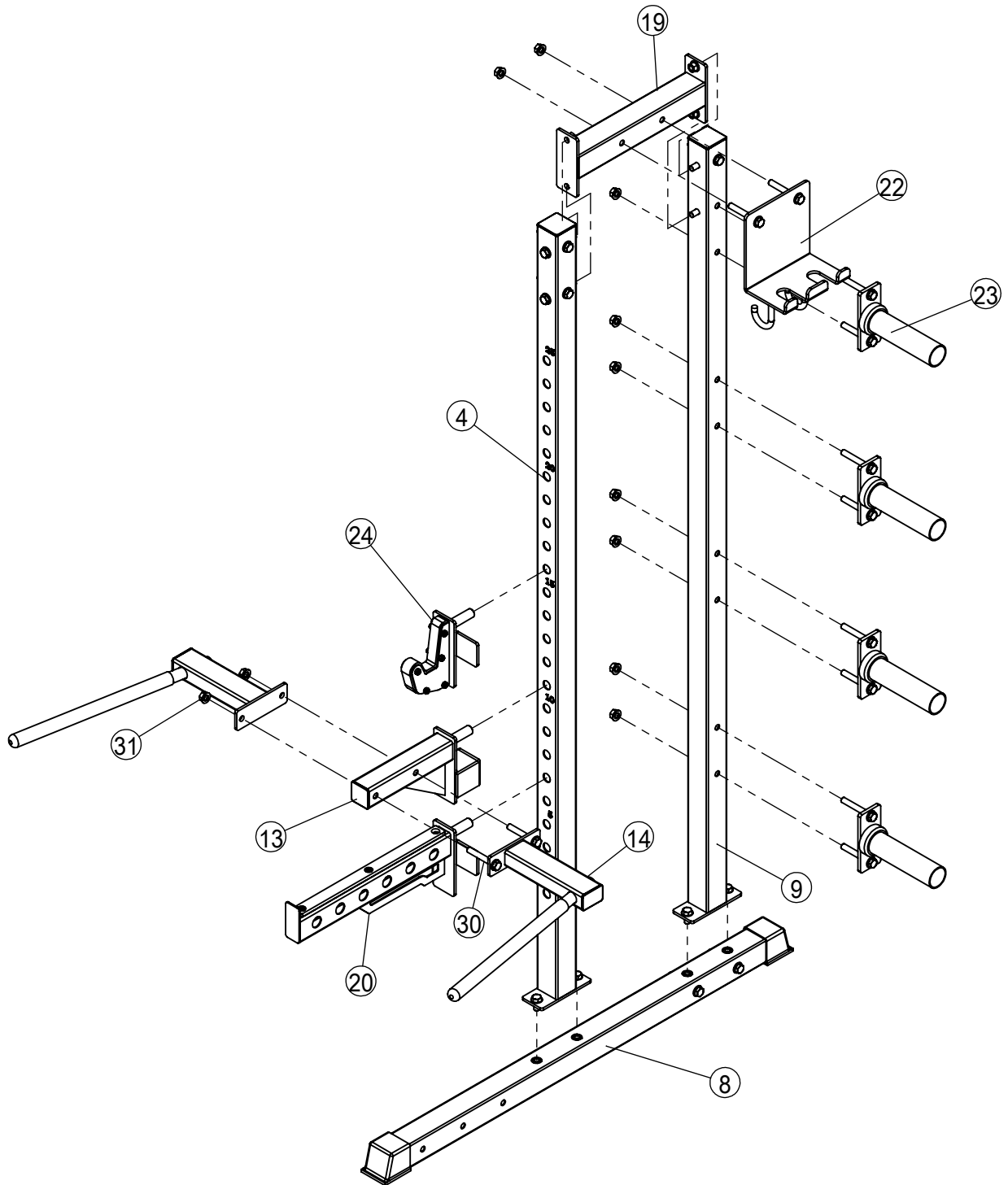
L1344*W1660*H2111



PARTS/HARDWARE LIST



Integrated Training Rack



Integrated Training Rack

